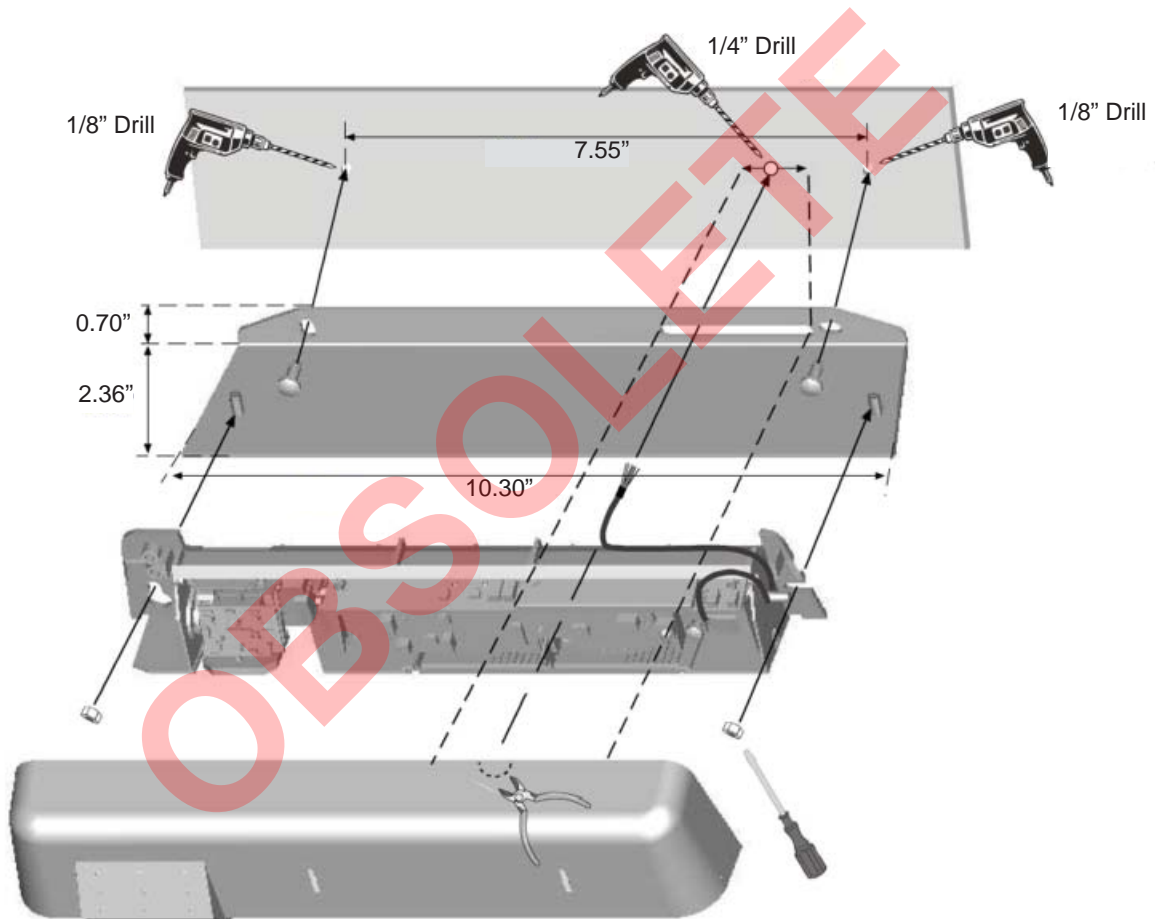


1 Description

The Wizard Mounting Bracket (10WMB) is for use with the BEA Wizard and the IRIS sensor. The bracket is used for applications where the sensor may not be mounted to a typical header location.

2 Installation

Dimension are shown below in inches. Use enclosed hardware for mounting.



3 Company Contact



Do not leave problems unresolved. If a satisfactory solution cannot be achieved after troubleshooting a problem, please call BEA, Inc. If you must wait for the following workday to call BEA, leave the door inoperable until satisfactory repairs can be made. Never sacrifice the safe operation of the automatic door or gate for an incomplete solution.

The following numbers can be called 24 hours a day, 7 days a week. For more information, visit www.beasensors.com.