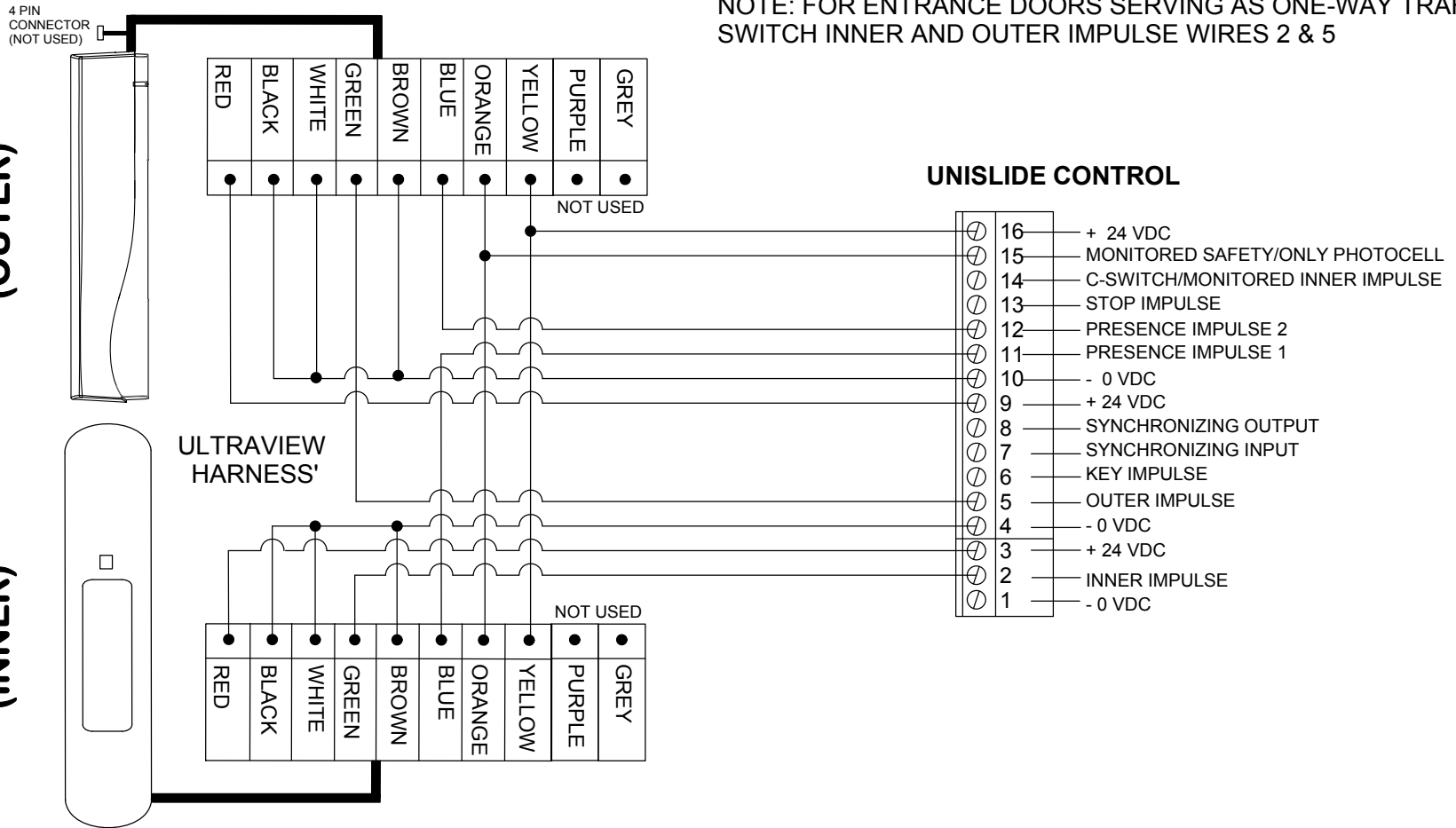


NOTE: FOR ENTRANCE DOORS SERVING AS ONE-WAY TRAFFIC SWITCH INNER AND OUTER IMPULSE WIRES 2 & 5

BESAM ULTRAVIEW (INNER)
BEA IXIO-DT1 (OUTER)



INSTRUCTIONS:

- 1) REMOVE THE DEFECTIVE ULTRA VIEW.
- 2) REMOVE THE SHROUD FROM THE DEFECTIVE ULTRAVIEW AND UNPLUG THE 4 PIN CONNECTOR AND THE 10 PIN CONNECTOR FROM THE ULTRAVIEW.
- 3) INSTALL THE IXO DT1 AND PLUG THE 10 PIN CONNECTOR INTO THE IXIO.
- 4) UNPLUG P-1 AND P-2 FROM THE INTERFACE BOARD AND REMOVE THE INTERFACE BOARD FROM THE CONTROL.
- 5) CUT OFF THE CONNECTORS AT THE CONTROL END OF BOTH CABLES AND WIRE AS SHOWN.
- 6) SET IXIO TEST OUTPUT TO "ON" VIA THE LCD SCREEN OR WITH THE "A" BUTTON ON THE REMOTE. SET THE "A" BUTTON TO "1".
- 7) SET THE REMAINING ULTRAVIEW DESIGNATION TO NEAUTRAL VIA THE REMOTE CONTROL- UNLOCK 1 OR 2 (DEPENDING WHETHER IT IS P-1 OR P-2) TO UNLOCK- THEN "0" THEN "3" THEN ENSURE THE REMAINING ULTRAVIEW TEST OUTPUT IS ALSO SET TO "ON". PRESS THE "A" BUTTON THEN "?" SHOULD BE 1 GREEN FLASH, THEN PRESS LOCK TWICE.
- 8) ENSURE DIP SWITCH 7 ON THE CONTROL IS SET TO ON.

IF AFTER TROUBLESHOOTING A PROBLEM, A SATISFACTORY SOLUTION CANNOT BE ACHIEVED, PLEASE CALL B.E.A., INC. FOR FURTHER ASSISTANCE DURING EASTERN STANDARD TIME AT 1-800-523-2462 FROM 8AM - 5PM. FOR AFTER-HOURS, CALL EAST COAST: 1-866-836-1863 OR 1-800-407-4545 / MID-WEST: 1-888-308-8843 / WEST COAST: 1-888-419-2564. DO NOT LEAVE ANY PROBLEM UNRESOLVED. IF YOU MUST WAIT FOR THE FOLLOWING WORKDAY TO CALL B.E.A., LEAVE THE DOOR INOPERABLE UNTIL SATISFACTORY REPAIRS CAN BE MADE. NEVER SACRIFICE THE SAFE OPERATION OF THE AUTOMATIC DOOR OR GATE FOR AN INCOMPLETE SOLUTION.WEB: WWW.BEASENSORS.COM



100 ENTERPRISE DRIVE
PITTSBURGH, PA 15275
PHONE: (412) 249-4100
FAX: (412) 249-4101
EMAIL: www.beasensors.com

TITLE: BESAM UNISLIDE WITH ULTRAVIEW ON ONE SIDE AND IXIO ON THE OTHER.

SIZE: A	DRAWN BY: WJR	REV BY:	PART NO: 80.0386.00
	SCALE: NONE	DATE: 16 DEC 2015	SHEET 1 OF 1