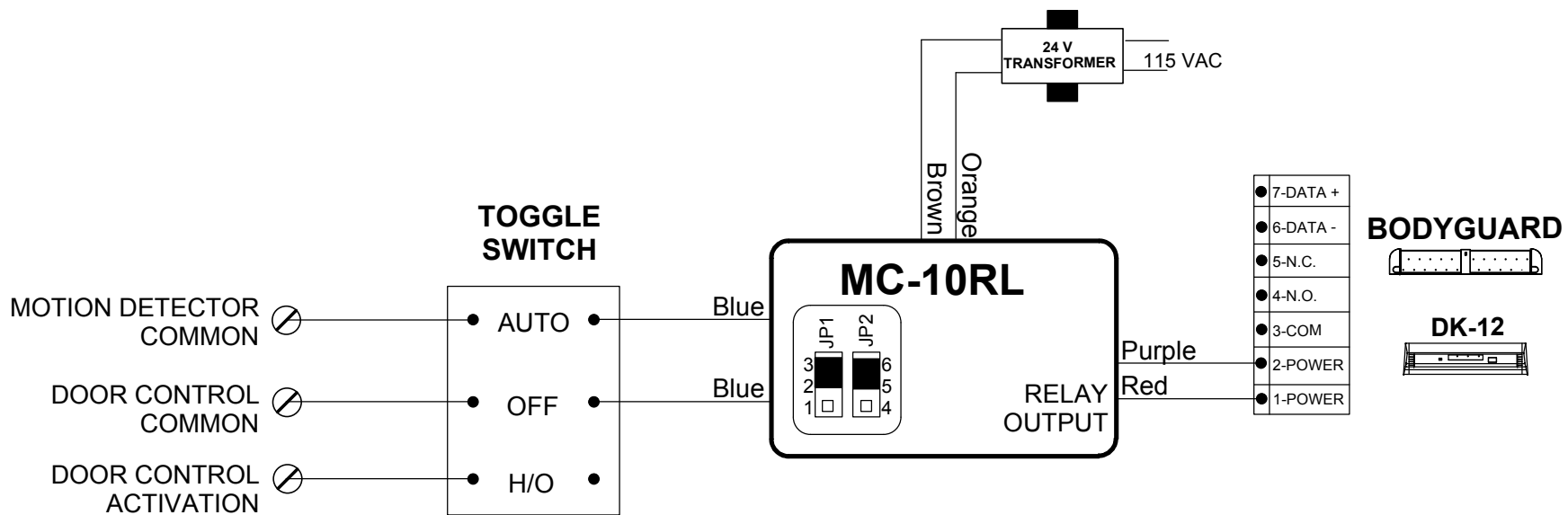

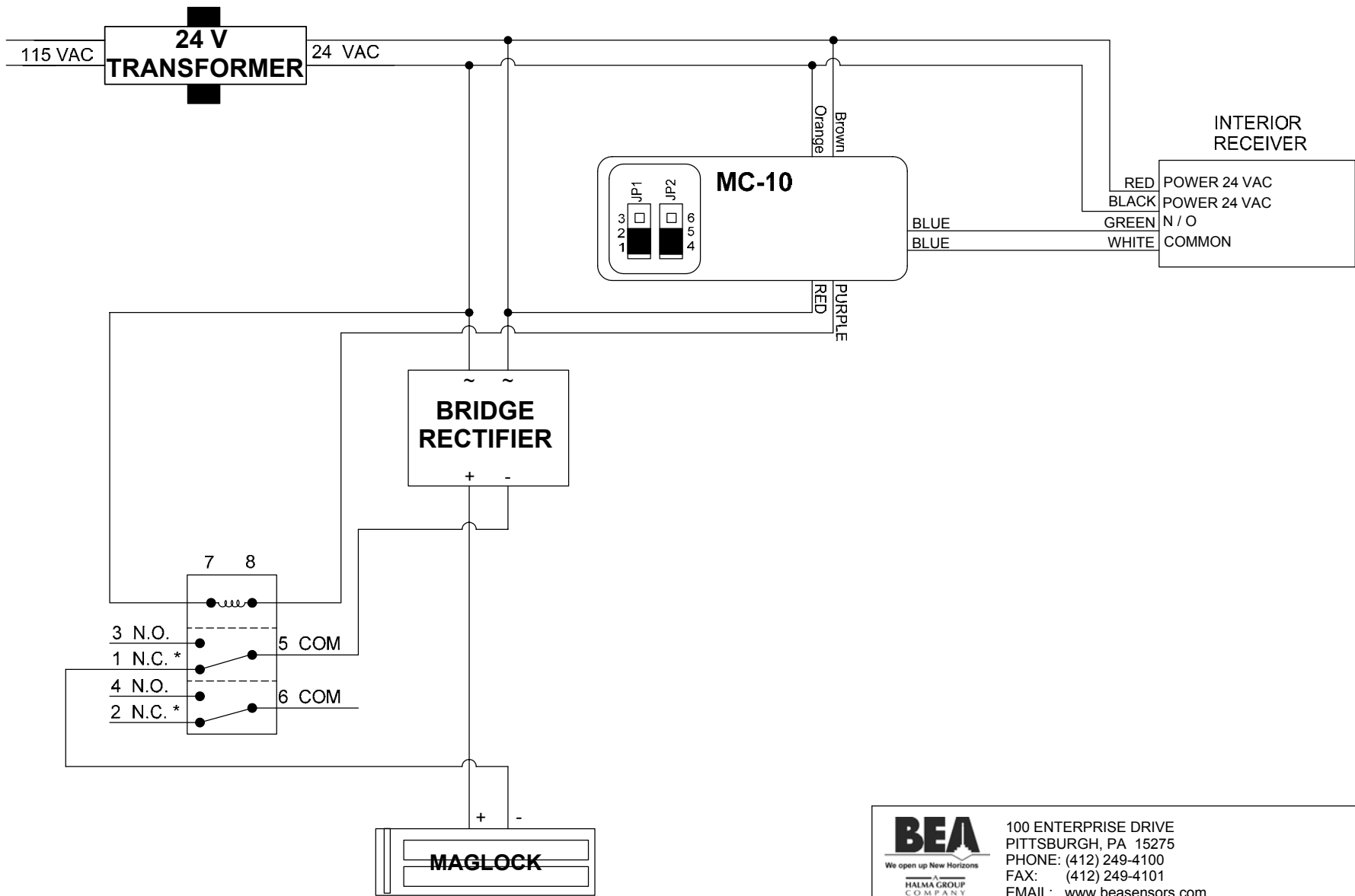


DO NOT DISTRIBUTE THIS DRAWING!



NOTE: JP 1 AND JP2 MUST BE SET TO WET CONTACTS.

		B.E.A., Inc. 100 Enterprise Drive Pittsburgh, PA 15275 PH: (412) 249-4100 FAX: (412) 249-4101 www.beasensors.com			
TITLE: MC-10RL WITH BODYGUARD TO DELAY POWERING OF BODYGUARD					
SIZE:	CAGE CODE:	DWG NO:	FILE OF:	DRAWN BY:	REV:
A		80.0151	ENG'G	JED	01
SCALE:	DATE:		SHEET:		
NONE	06 JAN 04		1 OF 1		



100 ENTERPRISE DRIVE
 PITTSBURGH, PA 15275
 PHONE: (412) 249-4100
 FAX: (412) 249-4101
 EMAIL: www.beasensors.com

TITLE: MC10, MAG LOCK, RECEIVER

IF AFTER TROUBLESHOOTING A PROBLEM, A SATISFACTORY SOLUTION CANNOT BE ACHIEVED, PLEASE CALL B.E.A., INC. FOR FURTHER ASSISTANCE DURING EASTERN STANDARD TIME AT 1-800-523-2462 FROM 8AM - 5PM. FOR AFTER-HOURS, CALL EAST COAST: 1-866-836-1863 OR 1-800-407-4545 / MID-WEST: 1-888-308-8843 / WEST COAST: 1-888-419-2564. DO NOT LEAVE ANY PROBLEM UNRESOLVED. IF YOU MUST WAIT FOR THE FOLLOWING WORKDAY TO CALL B.E.A., LEAVE THE DOOR INOPERABLE UNTIL SATISFACTORY REPAIRS CAN BE MADE. NEVER SACRIFICE THE SAFE OPERATION OF THE AUTOMATIC DOOR OR GATE FOR AN INCOMPLETE SOLUTION. WEB: WWW.BEASENSORS.COM

SIZE: A	DRAWN BY: KJG	REV BY: TUC	PART NO: 80.0225.01
	SCALE: NONE	DATE: 16 Aug 2005	SHEET 1 OF 1