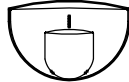
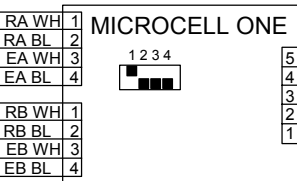
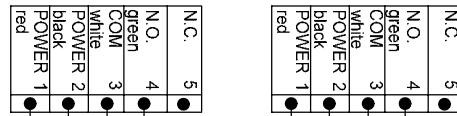
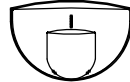


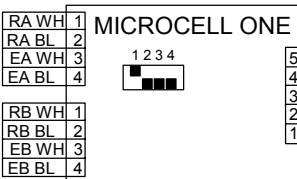
### INTERIOR EAGLE



### EXTERIOR EAGLE

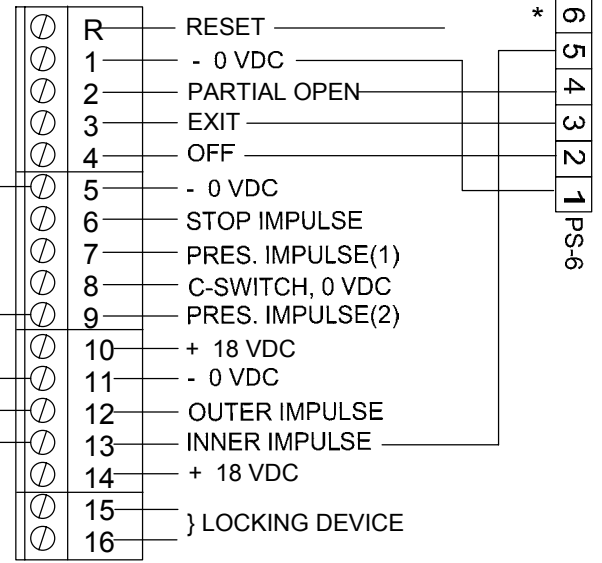


\* RECEIVER (A), EMITTER (A)  
RECEIVER (B), EMITTER(B)  
WH= WHITE, BL= BLACK



\* RECEIVER (A), EMITTER (A)  
RECEIVER (B), EMITTER(B)  
WH= WHITE, BL= BLACK

### AMD2 CONTROL



\* OPTIONAL - CONNECT TO RESET (TB1 R) IF REQ'D.

NOTES: 1) A JUMPER MUST BE INSTALLED IN PINS 9,12 ON CONTROL BOX FOR RE-ENTRY SENSOR IN ONE-WAY TRAFFIC  
2) PER 2005 ANSI A156.10 SET DOOR CONTROL TIME DELAY @ 2.5 SECONDS MINIMUM

IF AFTER TROUBLESHOOTING A PROBLEM, A SATISFACTORY SOLUTION CANNOT BE ACHIEVED, PLEASE CALL B.E.A., INC. FOR FURTHER ASSISTANCE DURING EASTERN STANDARD TIME AT 1-800-523-2462 FROM 8AM - 5PM. FOR AFTER-HOURS, CALL EAST COAST: 1-866-836-1863 OR 1-800-407-4545 / MID-WEST: 1-888-308-8843 / WEST COAST: 1-888-419-2564. DO NOT LEAVE ANY PROBLEM UNRESOLVED. IF YOU MUST WAIT FOR THE FOLLOWING WORKDAY TO CALL B.E.A., LEAVE THE DOOR INOPERABLE UNTIL SATISFACTORY REPAIRS CAN BE MADE. NEVER SACRIFICE THE SAFE OPERATION OF THE AUTOMATIC DOOR OR GATE FOR AN INCOMPLETE SOLUTION. WEB: WWW.BEASENSORS.COM

100 ENTERPRISE DRIVE  
PITTSBURGH, PA 15275  
PHONE: (412) 249-4100  
FAX: (412) 249-4101  
EMAIL: www.beasensors.com

### TITLE: BESAM CUD/J-9 AMD2 SLIDING DOOR WITH EAGLE, MICROCELL SYSTEM

SIZE: A	DRAWN BY: KJG	REV BY: KJG	PART NO: 80.0040.02
	SCALE: NONE	DATE: 28 MAY 2005	SHEET 1 OF 1